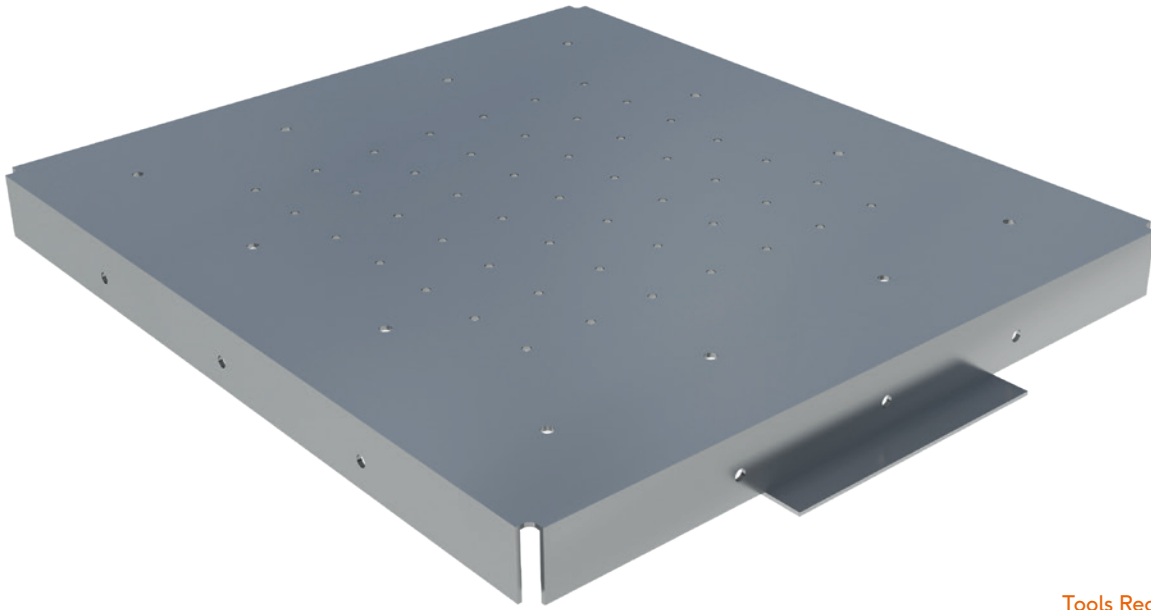


Installation Guide

Reference: IG-SSFSPJ-0921

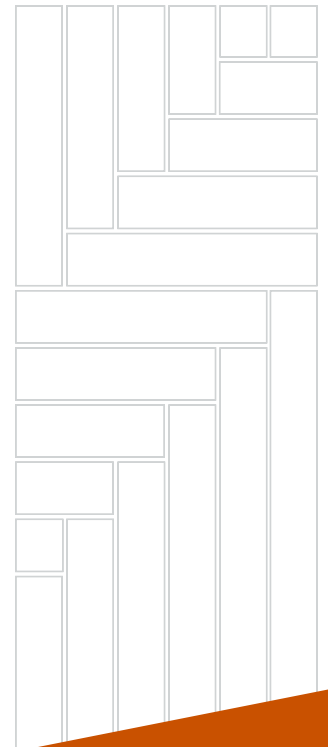


Tools Required

- ✓ String line/Laser line
- ✓ Saw
- ✓ Level
- ✓ Cordless screwdriver (for some applications)
- ✓ Angle grinder/hacksaw (for some applications)

Floor Structure Panel + Joists

Floor Structure Panels used in conjunction with Raaft Aluminium Joists



Installation Guide

Floor Structure Panel + Joists: Floor Structure Panels used in conjunction with Raaft Aluminium Joists
Reference: IG-SSFSPJ-0921

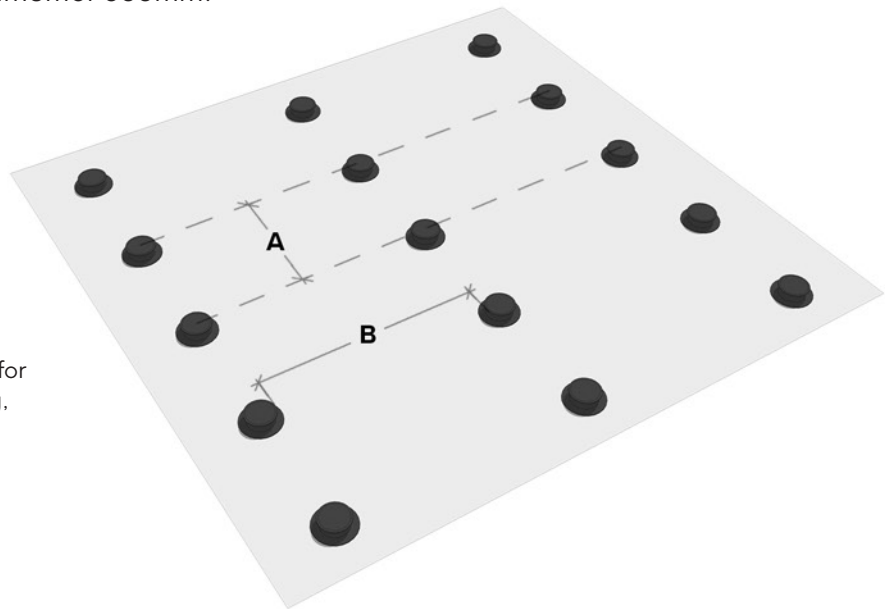
1. Layout pedestals

Ensure dimension A matches centres required for Raaft product e.g. Terrafina Composite Decking, Farrino Porcelain Decking, Atria Porcelain Tiles or Floor Structure Panels.

Ensure dimension B meets the requirements of the chosen joist:

50mm Joist - 900mm maximum unsupported span between pedestals

Joist sizes can cantilever a maximum of 300mm.



Notes

- See the Raaft Adjustable Pedestals Installation Guide (IG-SSAP-XXXX) for detailed information on quantifying, positioning and installation of pedestals.



WANT MORE HELP?

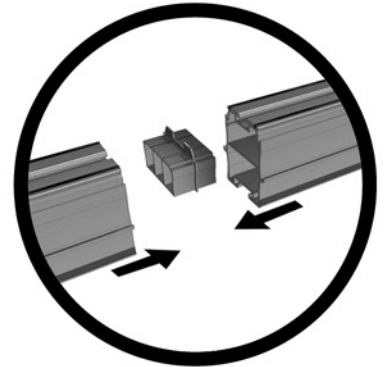
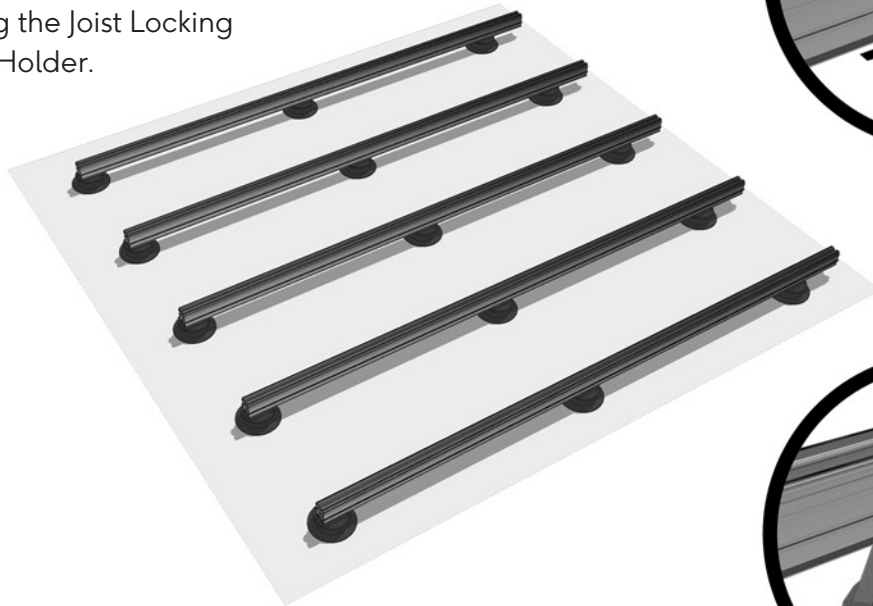
Contact our technical support team on +44 (0)20 3146 7879
or email technical@raaft.co

Installation Guide

Floor Structure Panel + Joists: Floor Structure Panels used in conjunction with Raaft Aluminium Joists
Reference: IG-SSFSPJ-0921

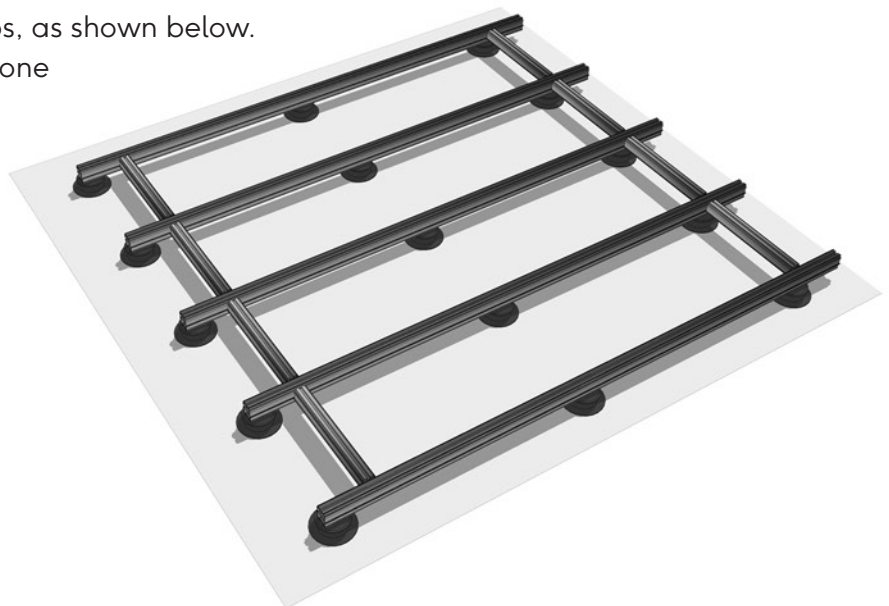
2. Lay Joists

Join Joists where required using Joist Connectors.
Position Joists onto pedestals, check levels
and secure using the Joist Locking
Piece or Bearer Holder.



Optional stage (Install noggins)

For small areas noggins can be installed at both ends of each Joist using 90° Connector Clips, as shown below.
For larger areas, install noggins at one end of each joist, if required.



Note

- Use the Angle Connector if installing at an angle other than 90° (e.g. to lay cut tiles).



WANT MORE HELP?

Contact our technical support team on +44 (0)20 3146 7879
or email technical@raaft.co

Installation Guide

Floor Structure Panel + Joists: Floor Structure Panels used in conjunction with Raaft Aluminium Joists
Reference: IG-SSFSPJ-0921

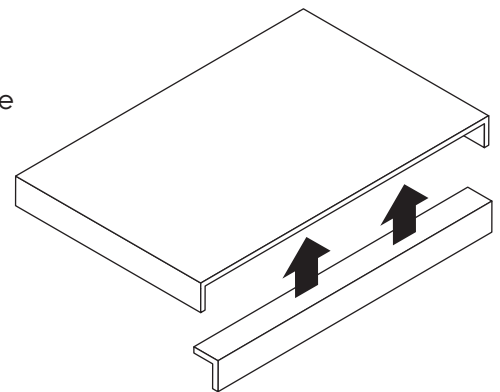
3. Lay Floor Structure Panels on Joists.

Install Floor Structure Panels onto Joists and in accordance with the specific product's Installation Guide. Fix planters or lay surfacing as required



4. Cutting Floor Structure Panels.

In some instances Floor Structure Panels will need to be cut to size using an angle grinder or hacksaw. Ensure to glue a 45 x 45mm galvanized angle on the edge of tray as demonstrated.



WANT MORE HELP?

Contact our technical support team on +44 (0)20 3146 7879
or email technical@raaft.co

Installation Guide

Floor Structure Panel + Joists: Floor Structure Panels used in conjunction with Raft Aluminium Joists
Reference: IG-SSFSPJ-0921

Handling and hazards



HEAVY SEGMENTS!

Requires two persons to lift each segment – or mechanical lifting device.



HEAVY ITEMS!

Wear steel toe protection.



DUST PARTICLES!

Wear dust mask



BE SAFE!

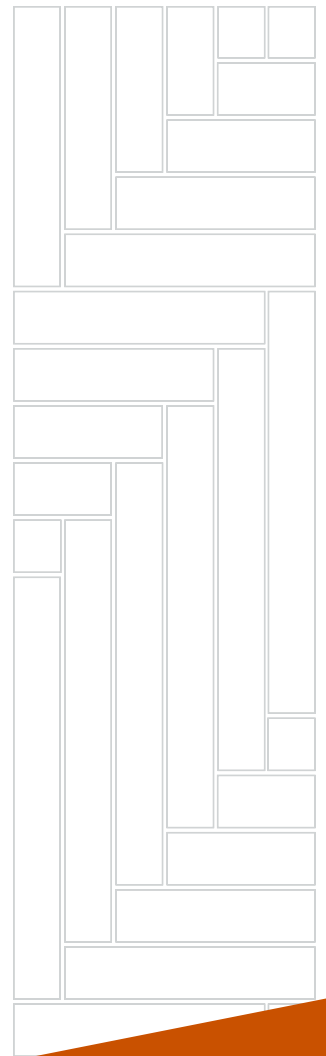
Wear high visibility clothing, hard hats, and any other PPE required on site.

DISCLAIMER

These instructions are for guidance only and the installer is responsible to use their discretion to install the products in the best possible way for their respective application. Raft Limited will not be held liable for product failure or poor performance as a result of poor quality installation. If any errors are found in this guide please email us at technical@raft.co.

SUPPORTING DOCUMENTS

More information on the Atria products can be found at www.raft.co/products/porcelain-tiles.



117-121 St John Street, Clerkenwell, London EC1V 4JA
t: +44 (0)20 3146 7879 e: sales@raft.co
raft.co