

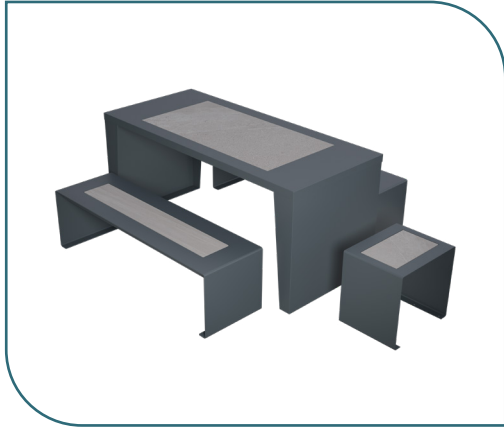
DATA SHEET
Reference:
DS-RH-0923

Rhune Collection

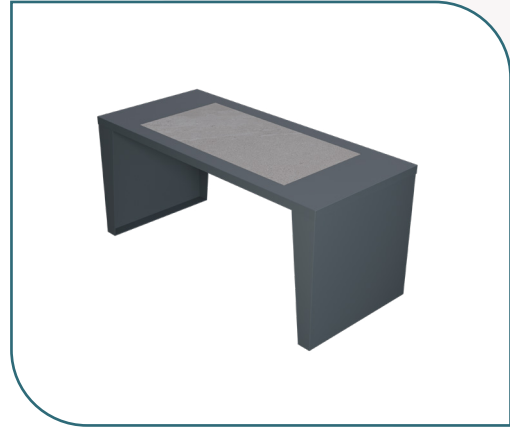
Technical datasheet

Rhune Collection

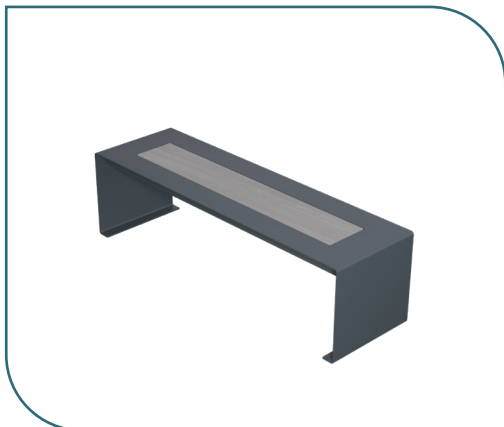
Technical datasheet



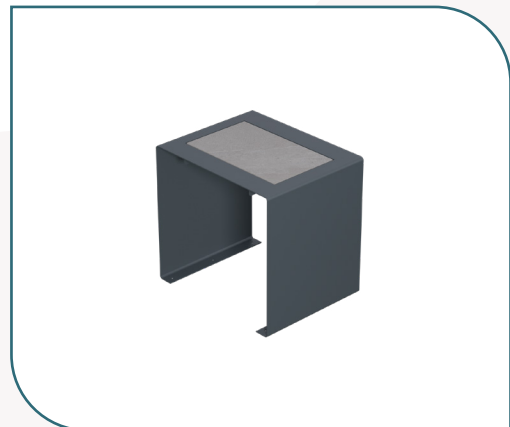
Rhune Table, Bench and Stool




Rhune Table



Rhune Bench



Rhune Stool

 **RAAFT** [FIND OUT MORE OR REQUEST A SAMPLE](#)
e: technical@raft.co
w: raft.co

Rhune Collection

Technical datasheet

RHUNE MODULARS

PRODUCT CODES	PRODUCT NAME	METAL THICKNESS	WEIGHTS (KG)	KEY DIMENSIONS (Length, width, height in mm)	FIXINGS REQUIRED
	Rhune Table Legs	6mm	38.5	Depth: 500 Width: 1800 Height: 800 (780 FFL*)	<ul style="list-style-type: none"> • Stainless Steel wood screws • Tek screws used when bolting to the floor
	Rhune Table Sheet/Wood/Brackets	3mm	63.8		
	Rhune Bench	6mm	72	Depth: 500 Width: 1500 Height: 470 (450 FFL*)	
	Rhune Stool	3mm	17.88	Depth: 400 Width: 500 Height: 470 (450 FFL*)	

* From fixed floor

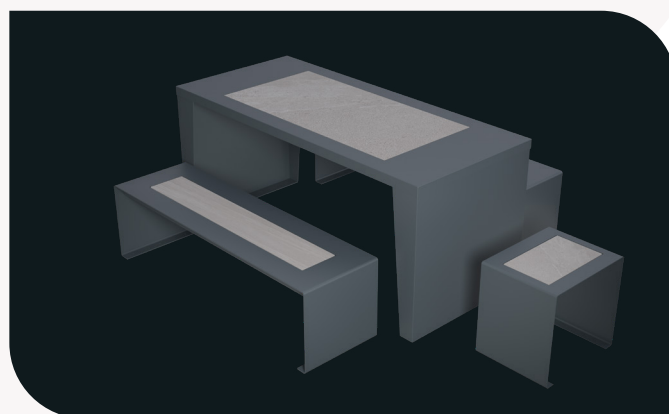
APPLICATION

This collection comprises one table, two benches, and an adaptable number of stools, depending on the customer's preferences.

While these pieces have been specifically crafted for rooftop terraces, their versatility extends to ground-level use. This versatility is attributed to their lightweight construction, weather resistance, robustness, and enduring quality.

All the products in this collection are securely fastened to the Raaft Terrace system, anchored through bolts into the panels underneath, ensuring strict compliance with wind uplift regulations.

The ceramic tile in the centre of these designs work well to give a much more integrated feel from product to terrace. These slabs can come in a variety of colours or materials and therefore the customization becomes far greater for the customer.



All three products within this set share identical design features, facilitating seamless integration with one another on rooftop installations.

RAAFT FIND OUT MORE OR REQUEST A SAMPLE
e: technical@raaft.co
w: raaft.co

Rhune Collection

Technical datasheet

INSTALLATION INFORMATION

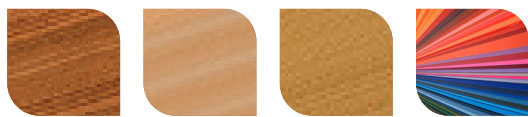
When installing the Rhune collection, it will simply bolt down into the furniture structure panel underneath and this will be done by using tek screws. There must be caution however, as the base section must be bolted down first, and then the comb will be screwed down.

The tiles would then be cut around the Rhune collection on site and given that the Rhune collection is a straightforward base, this should not pose much of an issue. For more information, please see our install guide.

PRODUCT FINISHES

The finishes for the metal sections will be powder coated. This can be decided by the Architect or Customer.

Choose from these finishes:



Iroko

European
Redwood

European
Oak

RAL
Colours

SUSTAINABILITY

Rhune is crafted from two material options: Untreated steel or Stainless Steel, and it boasts 100% recyclability. Consequently, Rhune stands out for its outstanding whole-life cost, as it is marketed with recycling in mind rather than incurring disposal costs. The primary component in steel production is iron, ranking second only to aluminium in terms of its natural abundance in the Earth's crust. Considering current extraction rates, there exists a sufficient iron supply to sustain production for well over 1000 years.

STEEL

Mild steel is widely recognized as a sustainable material for several compelling reasons:

1. Longevity and Durability

Mild steel boasts exceptional longevity and durability. When compared to less robust materials, it provides extended service over many years. For instance, while other materials may require annual replacement, using mild steel every five years significantly reduces the environmental impact, as it necessitates less energy for continuous replacement.

2. Versatility

Mild steel offers high versatility in terms of shapes and sizes during production. Its malleability allows it to take on various forms, making it highly adaptable and suitable for a wide range of applications.

3. Recyclability

One of the most significant sustainable advantages of mild steel is its recyclability. While the percentage of recyclable content may vary by type, it typically contains a high percentage of recyclable material. This aligns seamlessly with its versatility, as any surplus steel from manufacturing processes can be repurposed for smaller products or recycled, making it an environmentally friendly metal choice.

4. Absence of Harmful Chemicals

Unlike some other metals, the production of mild steel does not involve the release of harmful chemicals or toxins. This characteristic contributes to its eco-friendliness.

CERAMIC TILE

Ceramic tiles are made using naturally occurring abundant materials. This makes them an ideal choice when taking into consideration various eco-systems – as they will not affect them in any negative way.

When creating these tiles they also produce minimal wastage, meaning less energy is spent on disposing of excess. Adding to their ability to be recycled, alongside recovered easily makes them a powerhouse in the building industry regarding sustainability.



FIND OUT MORE OR REQUEST A SAMPLE

e: technical@raaft.co

w: raaft.co



Rhune Collection

Technical datasheet

PRODUCT MAINTENANCE

STEEL

For the Rhune collection, the steel is powder coated. This will require little/no maintenance as there won't be any interaction between this part of the product and the user.

FIRE PROTECTION

The new building regulations refer only to building elements that are considered to be a 'specific attachment'. And while this includes balconies, cladding and decking, it does not include any external street furniture used on building rooftops.

PROTECTIVE EQUIPMENT

We recommend that PPE (Personal Protective Equipment) is used when installing the Rhune collection:

- a) Good strong safety boots/shoes to protect the feet.
- b) Protective eyewear such as safety glasses.
- c) Strong gloves to protect the hands.
- d) If using loud cutting equipment then ear plugs or defenders should be worn.

STORAGE AND HANDLING

The product is securely packed and sealed in clear plastic sleeving to ensure no movement of the product in transit. Depending on the size/weight of the consignment this may be palletised.

Whilst there is no specific weight restrictions on what is or is not safe to lift in manual handling, an assessment of the health and safety risks should be undertaken and measures taken to reduce the risk of injury so far as reasonably practicable.

The following guidelines may be useful:

- a) Each person should be fully trained in manual handling techniques.
- b) The use of handling aids such as a trolley, folk-lift, pallet truck or conveyor should be used if moving large volumes of cartons.
- c) Break up large consignments into more manageable loads.
- d) Ensure that the product is stored at a reasonable height, so avoiding the lifting of cartons from floor level or above shoulder height.